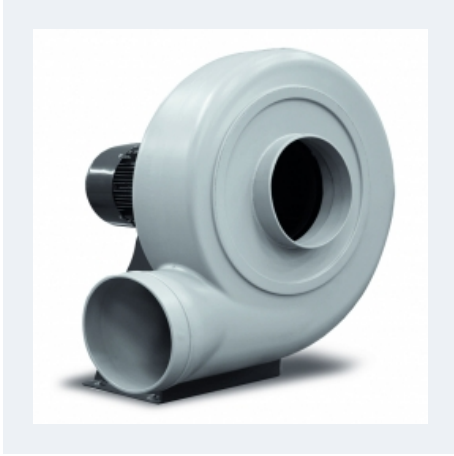


## CRC-A



### MEDIUM PRESSURE FAN WITH FORWARD IMPELLER AND IN PLASTIC CONSTRUCTION

#### MANUFACTURING FEATURES:

- Housing made of PP plastic (for models size 35 and equal to or greater than size 45) other models PE casing
- Forward curved impeller in PP plastic.
- Motor support made of rolled steel sheet with polyester powder finishing coat.
- Stainless steel nuts and bolts.
- Standard asynchronous squirrel-cage motor, IP-55, class F insulation. Standard voltages 230/400V 50Hz for three phase motors up to 4kW and 400/690V 50Hz for higher powers.

- Available positions (to be indicated in case of order): LG270, LG0, LG45, LG90, LG135, LG180, LG225, LG315, RD0, RD45, RD90, RD135, RD180, RD225, RD270, RD315.
- The indicated codes correspond to the model in position LG270

#### APPLICATIONS:

Designed for inline installation, they are suitable for:

- Corrosive air transport.
- Chemical and petrochemical industry.
- Laboratories and gas cabinets.
- Maximum temperature of transported air: If it is clean air 70°C, other depends on the gas (see table in documentation)

#### UNDER REQUEST:

- Single phase motors (up to 1,1kW).
- 60Hz fans and special voltages fans.
- 2 speed motors.
- Stainless steel motor support.
- Casing made of PP (for models taht is not a standard material).

## Accessories



**AD**



**CSC**



**FJ**



**FJ-F400**



**FLC1-F400**



**IREM/INVERTER**



**NRD-F400**



**RPI**



**SWT**



**XS-F400**

## Technical data

### Three-phase motor / 2 poles

Code	Model	R.P.M.	Rated I. A		Rated power kW	Max. Airflow m <sup>3</sup> /h	Sound db (A)**	Weight kg	Connect. diagram
			230V	400V					
502302014	CRC-A 20/2 T	2710	1,2	0,71	0,25	610	63	10	1
502302517	CRC-A 25/2 T	2840	3,00	1,75	0,75	1.220	68	17	1
502302818	CRC-A 28/2 T	2850	4,2	2,42	1,10	1.690	73	20	1
502303119	CRC-A 31/2 T	2850	5,5	3,2	1,50	2.710	74	31	1
502303527	CRC-A 35/2 T	2860	7,9	4,54	2,20	2.710	76	50	1

### Three-phase motor / 4 poles

Code	Model	R.P.M.	Rated I. A		Rated power kW	Max. Airflow m <sup>3</sup> /h	Sound db (A)**	Weight kg	Connect. diagram
			230V	400V					
502302039	CRC-A 20/4 T	1360	1,00	0,55	0,12	310	47	9	1
502302540	CRC-A 25/4 T	1310	1,2	0,7	0,18	630	53	13	1
502302840	CRC-A 28/4 T	1310	1,2	0,7	0,18	860	58	16	1
502303141	CRC-A 31/4 T	1350	1,4	0,8	0,25	1.510	58	24	1
502303542	CRC-A 35/4 T	1370	1,9	1,1	0,37	2.110	61	40	1
502304044	CRC-A 40/4 T	1410	3,1	1,79	0,75	2.550	64	31	1
502304545	CRC-A 45/4 T	1420	5,7	3,31	1,50	3.900	66	65	1
502305054	CRC-A 50/4 T	1440	8,4	4,83	2,20	5.250	75	70	1
502305661	CRC-A 56/4 T	1450	-	10,9	5,50	8.990	77	110	1

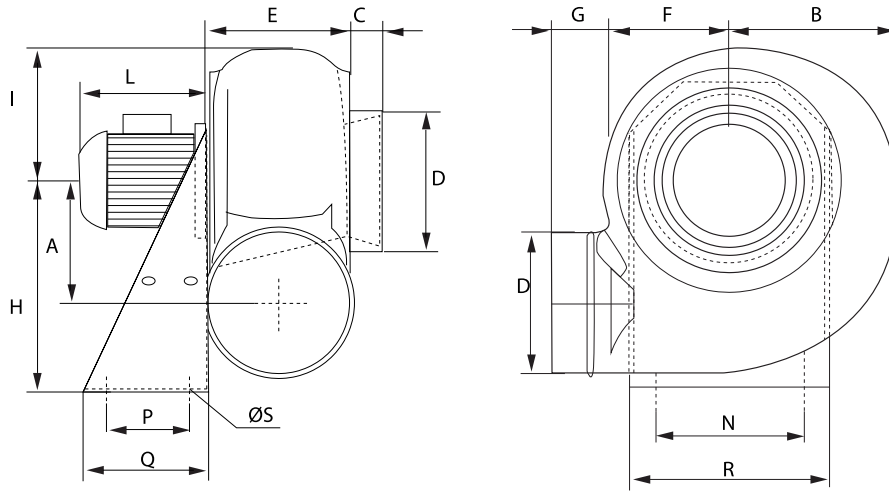
### Three-phase motor / 6 poles

Code	Model	R.P.M.	Rated I. A		Rated power kW	Max. Airflow m <sup>3</sup> /h	Sound db (A)**	Weight kg	Connect. diagram
			230V	400V					
502303167	CRC-A 31/6 T	850	1,1	0,62	0,12	990	58	20	1
502304069	CRC-A 40/6 T	900	1,5	0,87	0,25	1.670	53	28	1
502305072	CRC-A 50/6 T	925	3,5	2,01	0,75	3.440	63	62	1
502305678	CRC-A 56/6 T	945	8,9	5,12	2,20	5.890	66	87	1

**Notes:**

\*\* Total sound pressure level at the point of maximum flow measured in dB(A) in the suction measured in free field at a distance of 6m from the source

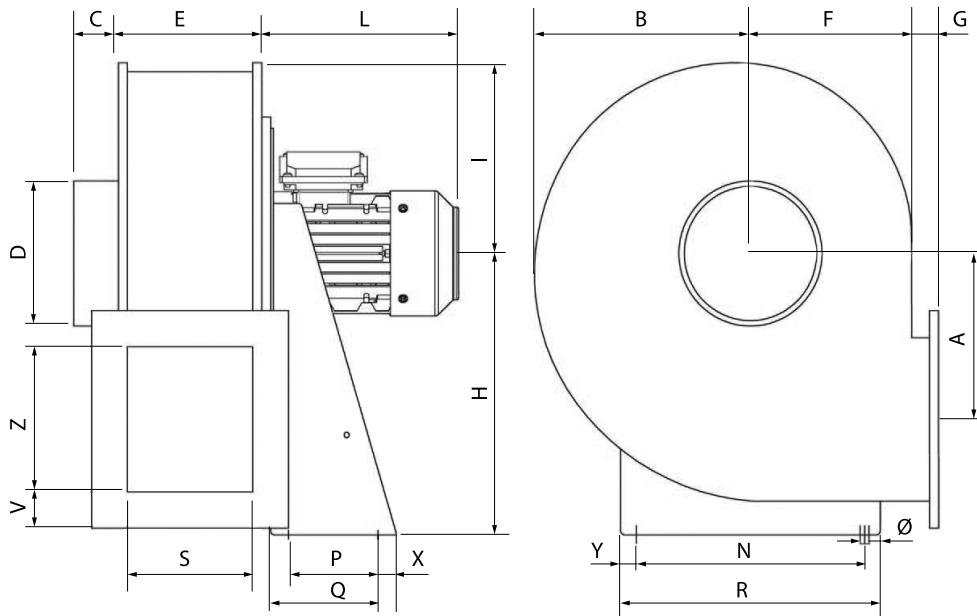
## Dimensions



Model	A	B	C	DØ	E	F	G	H	I
CRC-A 20/2 T	142	187	40	125	120	150	60	250	165
CRC-A 20/4 T	142	187	40	125	120	150	60	250	165
CRC-A 25/2 T	183	228	40	160	153	188	60	310	210
CRC-A 25/4 T	183	228	40	160	153	188	60	310	210
CRC-A 28/2 T	208	274	40	180	160	204	60	350	230
CRC-A 28/4 T	208	274	40	180	160	204	60	350	230
CRC-A 31/2 T	230	310	40	200	170	220	60	410	245
CRC-A 31/4 T	230	310	40	200	170	220	60	410	245
CRC-A 31/6 T	230	310	40	200	170	220	60	410	245
CRC-A 40/4 T	290	380	40	250	194	265	80	495	330
CRC-A 40/6 T	290	380	40	250	194	265	80	495	330

Model	L	N	P	Q	R	ØS
CRC-A 20/2 T	195	200	100	140	235	11
CRC-A 20/4 T	190	200	100	140	235	11
CRC-A 25/2 T	220	255	100	140	290	11
CRC-A 25/4 T	190	255	100	140	290	11
CRC-A 28/2 T	190	277	120	190	316	11
CRC-A 28/4 T	240	277	120	190	316	11
CRC-A 31/2 T	290	320	150	230	355	11

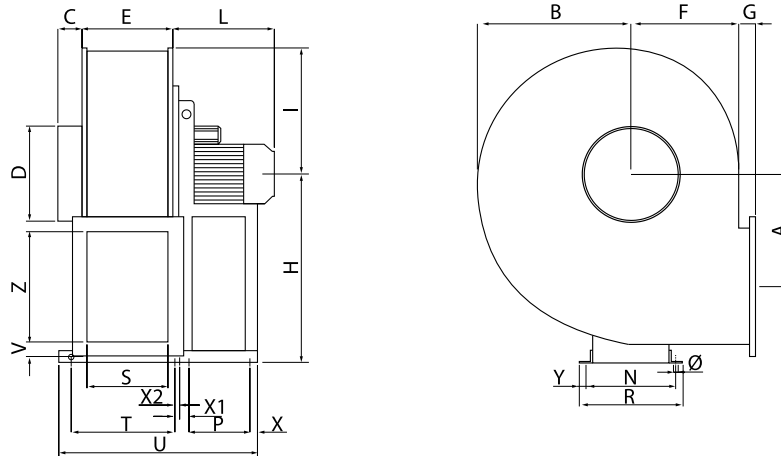
Model	L	N	P	Q	R	ØS
CRC-A 31/4 T	210	320	150	230	355	11
CRC-A 31/6 T	210	320	150	230	355	11
CRC-A 40/4 T	240	330	170	250	365	11
CRC-A 40/6 T	220	330	170	250	365	11



Model	A	B	C	D	E	F	G	H	I
CRC-A 35/2 T	275	328	50	225	185	230	40	445	285
CRC-A 35/4 T	275	328	50	225	185	230	40	445	285
CRC-A 45/4 T	292	382	50	280	280	340	40	550	350

Model	L	N	P	Q	R	S	V	X	Y
CRC-A 35/2 T	290	355	150	230	390	175	40	40	17.5
CRC-A 35/4 T	220	355	150	230	390	175	40	40	17.5
CRC-A 45/4 T	290	370	170	250	410	210	40	40	20

Model	Z	Ø
CRC-A 35/2 T	250	11
CRC-A 35/4 T	250	11
CRC-A 45/4 T	300	11



Model	A	B	C	D	E	F	G	H	I
CRC-A 50/4 T	377	390	80	315	280	450	50	630	395
CRC-A 50/6 T	377	390	80	315	280	450	50	630	395
CRC-A 56/4 T	416	560	80	400	330	388	50	710	445
CRC-A 56/6 T	416	560	80	400	330	388	50	710	445

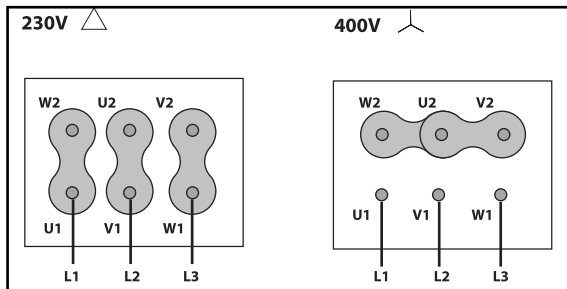
Model	L	N	P	R	S	T	U	V	X
CRC-A 50/4 T	300	289	237	325	260	390	730	50	25
CRC-A 50/6 T	250	289	237	325	260	390	730	50	25
CRC-A 56/4 T	340	445	270	481	310	454	994	50	25
CRC-A 56/6 T	330	289	270	325	310	454	827	50	25

Model	X1	X2	Y	Z	Ø
CRC-A 50/4 T	28	25	18	365	14
CRC-A 50/6 T	28	25	18	365	14
CRC-A 56/4 T	38	15	18	460	14
CRC-A 56/6 T	38	15	18	460	14

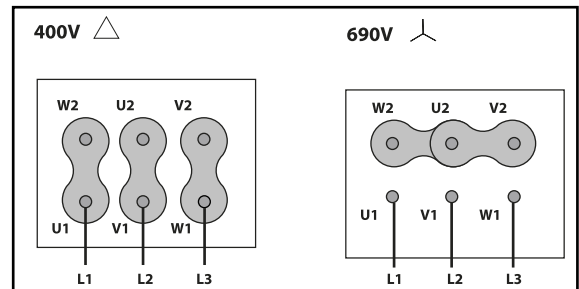
## Wiring diagram

### Wiring diagram N° 1

230/400V



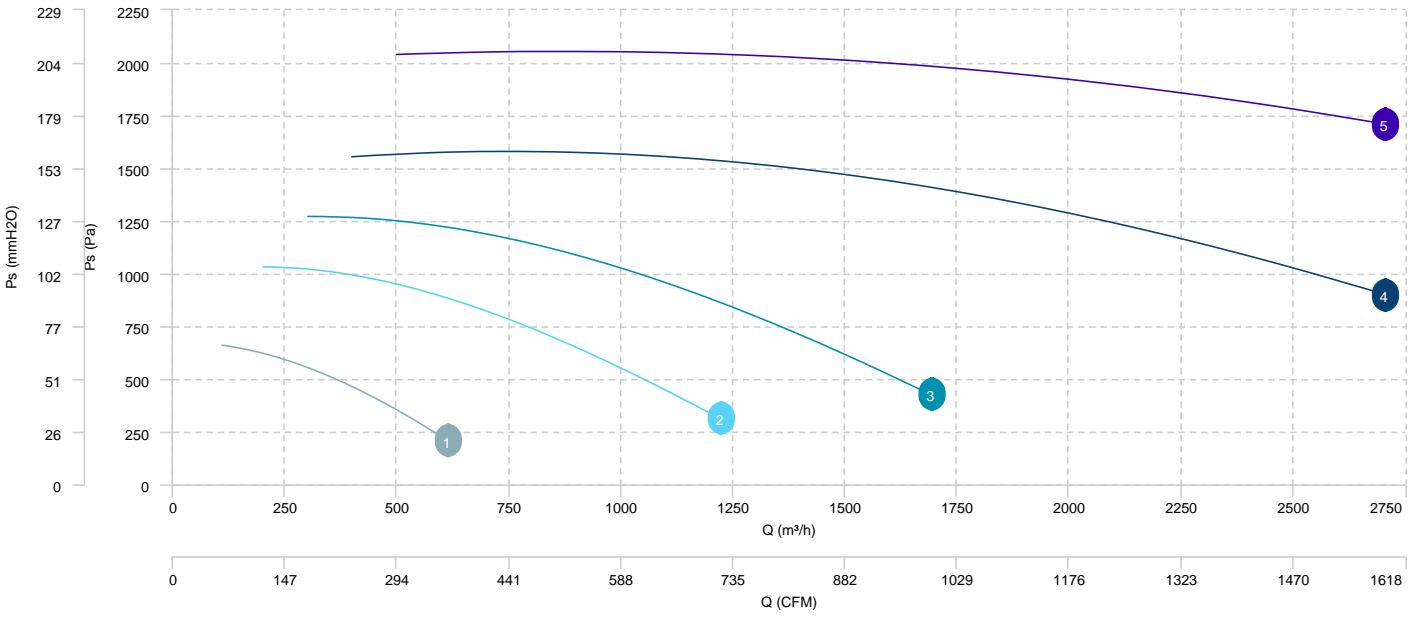
400/690V



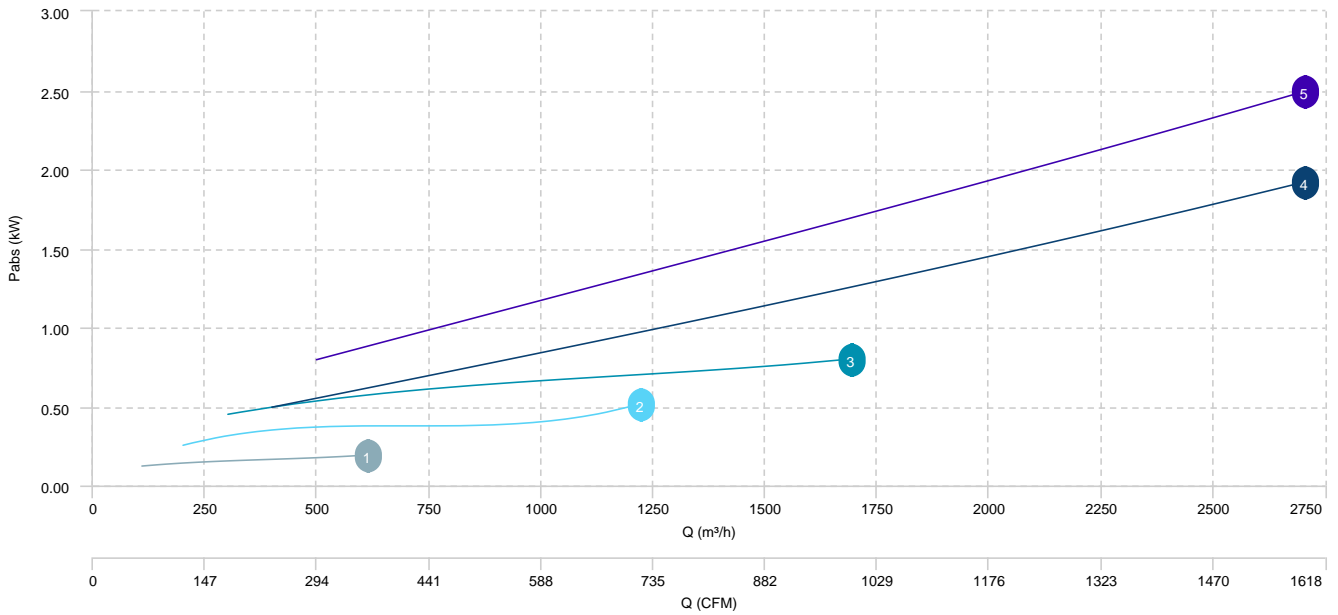
# CHARACTERISTIC CURVE

- 1 CRC-A 20/2 T
- 2 CRC-A 25/2 T
- 3 CRC-A 28/2 T
- 4 CRC-A 31/2 T
- 5 CRC-A 35/2 T

## AIR FLOW - PRESSURE

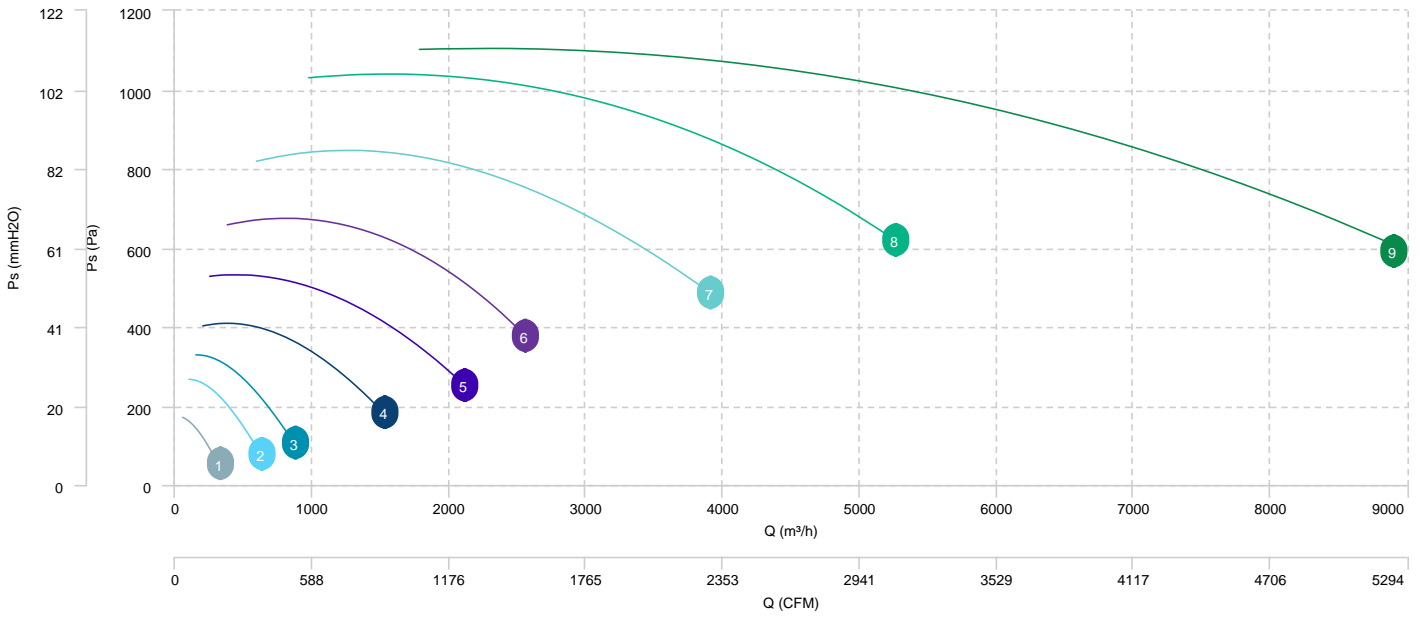


## AIR FLOW - ABSORBED POWER

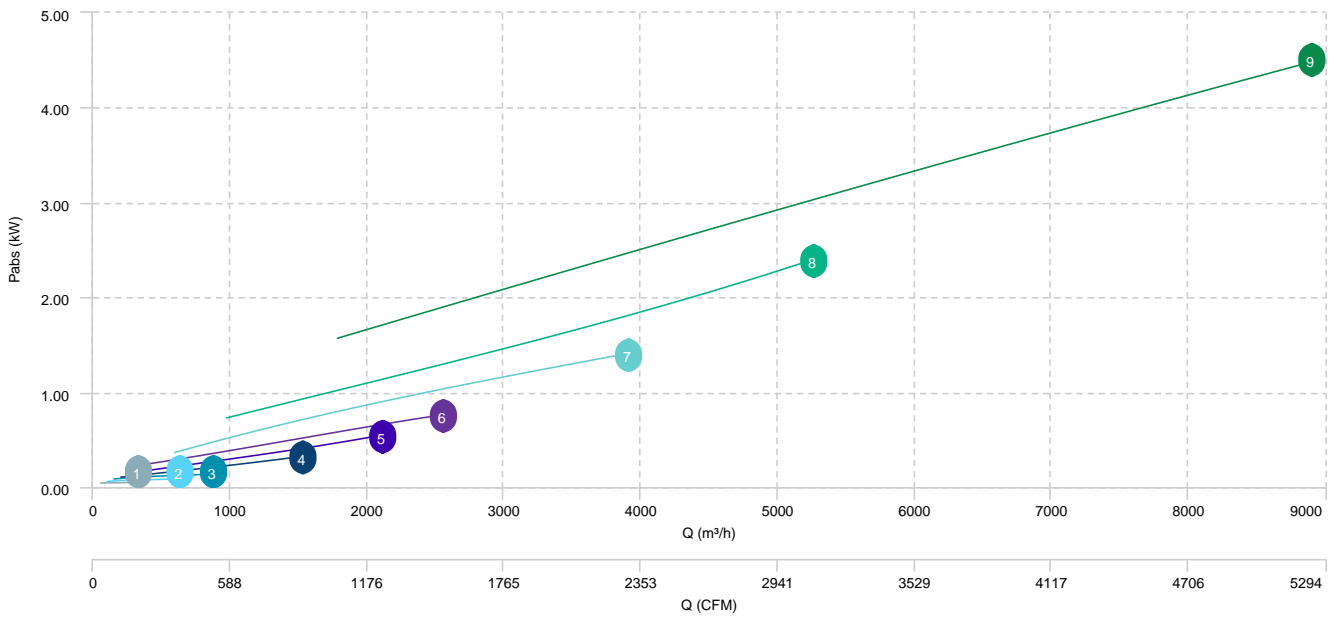


1	CRC-A 20/4 T	2	CRC-A 25/4 T	3	CRC-A 28/4 T	4	CRC-A 31/4 T
5	CRC-A 35/4 T	6	CRC-A 40/4 T	7	CRC-A 45/4 T	8	CRC-A 50/4 T
9	CRC-A 56/4 T						

### AIR FLOW - PRESSURE



### AIR FLOW - ABSORBED POWER





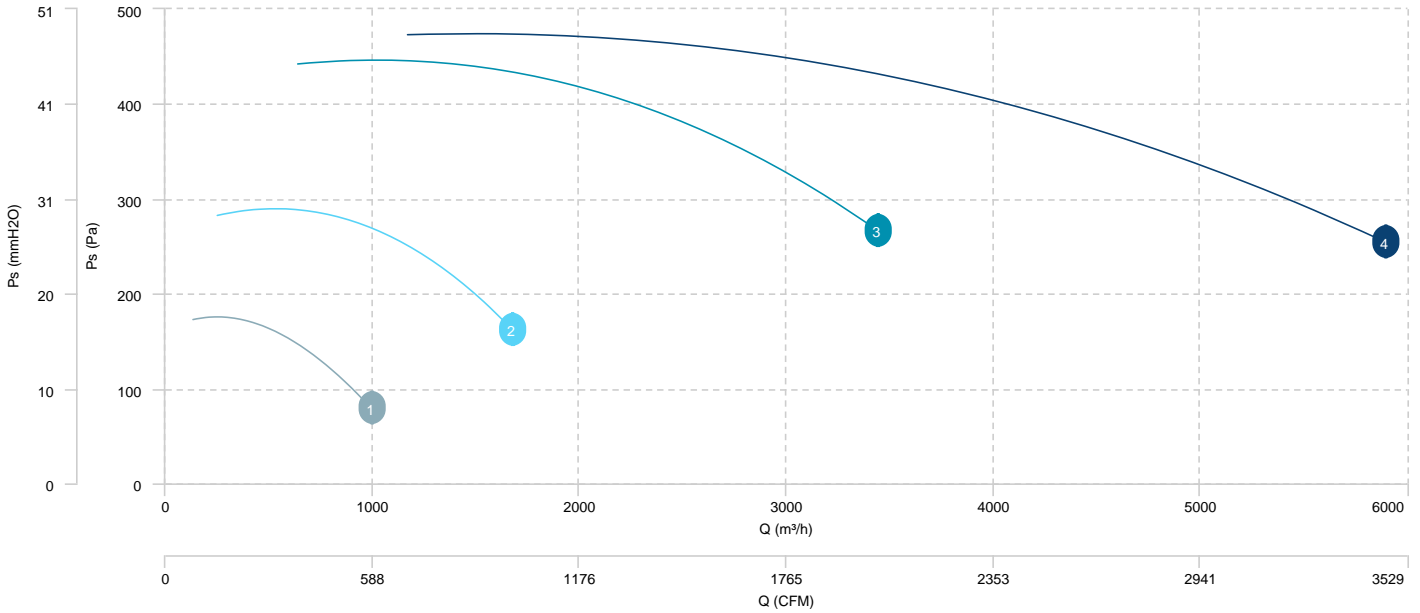
1 CRC-A 31/6 T

2 CRC-A 40/6 T

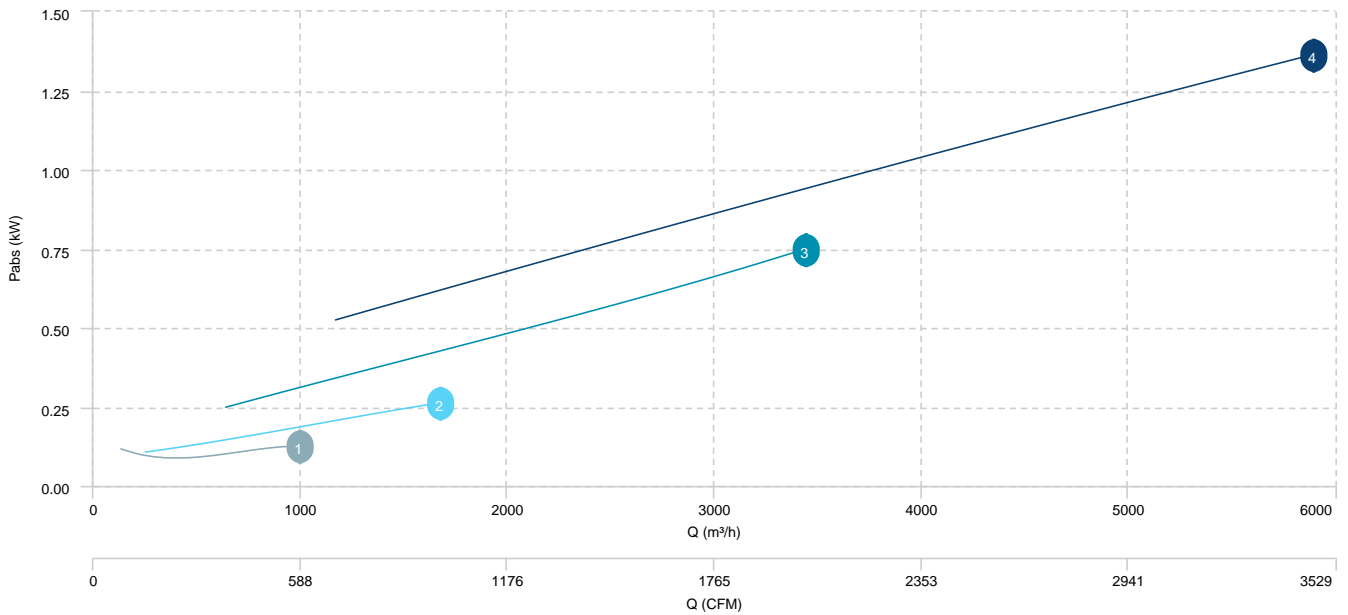
3 CRC-A 50/6 T

4 CRC-A 56/6 T

**AIR FLOW - PRESSURE**



**AIR FLOW - ABSORBED POWER**



## Sound data

### Sound / 2 poles

Sound power Lw dB (A)										
Model		63 Hz	125 Hz	250 Hz	500 Hz	1000 Hz	2000 Hz	4000 Hz	8000 Hz	Total
CRC-A 20/2 T	Inlet	60	72	78	81	87	80	72	61	89
CRC-A 25/2 T	Inlet	66	78	83	87	92	85	77	67	94
CRC-A 28/2 T	Inlet	70	83	88	91	97	90	82	72	99
CRC-A 31/2 T	Inlet	71	83	89	92	97	91	82	72	100
CRC-A 35/2 T	Inlet	73	85	91	94	100	93	85	74	102

### Sound / 4 poles

Sound power Lw dB (A)										
Model		63 Hz	125 Hz	250 Hz	500 Hz	1000 Hz	2000 Hz	4000 Hz	8000 Hz	Total
CRC-A 20/4 T	Inlet	45	57	63	69	69	65	57	46	73
CRC-A 25/4 T	Inlet	51	63	69	75	74	70	62	52	79
CRC-A 28/4 T	Inlet	55	68	73	79	79	75	67	57	84
CRC-A 31/4 T	Inlet	56	68	74	80	79	76	67	57	84
CRC-A 35/4 T	Inlet	58	71	76	82	82	78	70	60	87
CRC-A 40/4 T	Inlet	62	74	79	86	85	81	73	63	90
CRC-A 45/4 T	Inlet	64	76	81	88	87	83	75	65	92
CRC-A 50/4 T	Inlet	93	95	93	94	90	85	77	69	101
CRC-A 56/4 T	Inlet	95	97	95	96	92	87	79	71	103

### Sound / 6 poles

Sound power Lw dB (A)										
Model		63 Hz	125 Hz	250 Hz	500 Hz	1000 Hz	2000 Hz	4000 Hz	8000 Hz	Total
CRC-A 31/6 T	Inlet	56	68	74	80	79	76	67	57	84
CRC-A 40/6 T	Inlet	51	63	72	72	74	71	62	52	79
CRC-A 50/6 T	Inlet	82	84	82	83	79	74	66	58	89
CRC-A 56/6 T	Inlet	85	87	85	86	82	77	69	61	92