

HEATMASTER F400 315 T4 0,25kW (15261)

GENERAL DATA



ROOF FAN WITH FOLDING SYSTEM AND ALUMINIUM COWL F400

MANUFACTURING FEATURES:

- Protection cowl made of anticorrosive treated aluminum easily removable for motor and impeller maintenance thanks to the integrated folding system.
- The design of the cowl with a **rounded shape** is specific to minimize the risk of water ingress due to rain (including rain).
- Equipped with a **hinged system** to open the motor-impeller set. This system allows easy maintenance and cleaning of the set without the need to disassemble the entire structure. The opening is possible in 2 inclinations: approximately 45° and 90°, as required by the intervention.
- Structure in anticorrosive galvanized steel and support frame for adaptation to the roof with anti-bird protection grid.
- High-performance, backward-curved blade (reaction) impellers designed to work without scroll. Self-cleaning system, built in galvanized steel treated with anti-corrosion.
- Standard asynchronous squirrel cage motor with IP-55 protection and Class F insulation. Standard voltages of 230V50Hz for single phase motors, 230/400V50Hz & 400/690V 50Hz for three-phase 1 speed motors and 400V50Hz for 2 speed motors.

APPLICATIONS

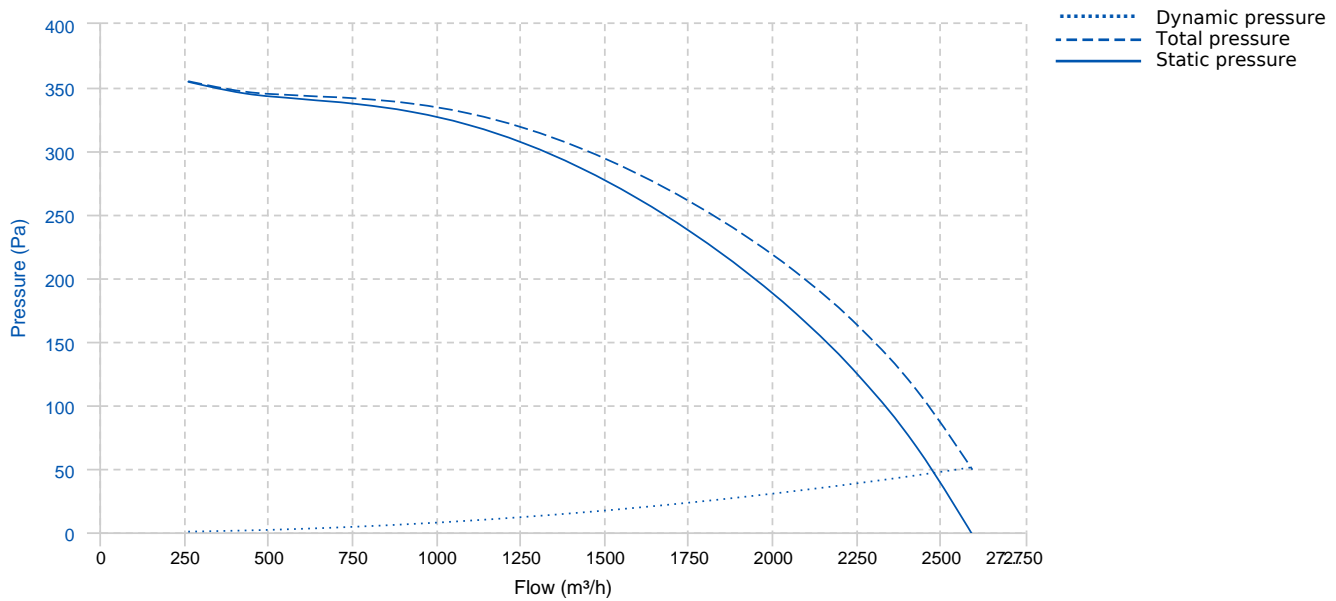
Designed for deck or roof mounting, they are indicated for:

- Smoke extraction.
- Air renewal in all types of buildings and industries.
- Maximum continuous working temperature: transported air 80°C, ambient 60°C to -25°C in three-phase motors.

UNDER REQUEST

- Special voltages.
- Special construction for moving air at 120°C

PERFORMANCE CURVE

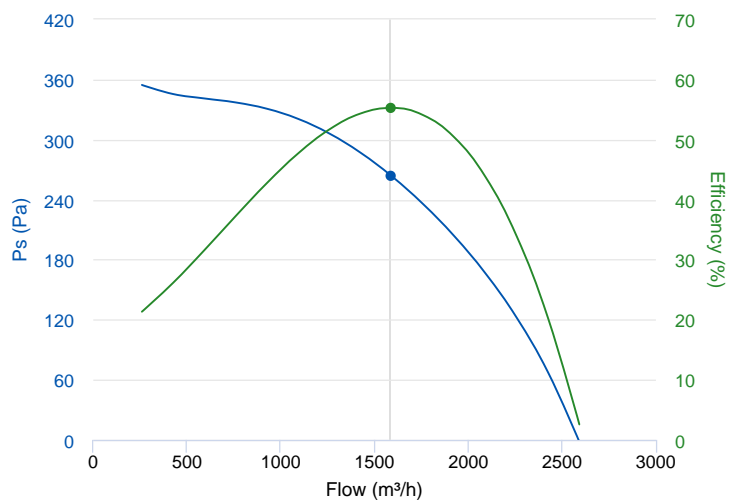


TECHNICAL DATA

Fan							
RPM	1400	Approx. weight	40.9 kg	Max. Flow	2590 m³/h		
Motor							
Power	0,25 kW	RPM	1400	I max. (230V)	1,38 A	I max. (400V)	0,79 A
Size	71	Approx. weight	5.4 kg				

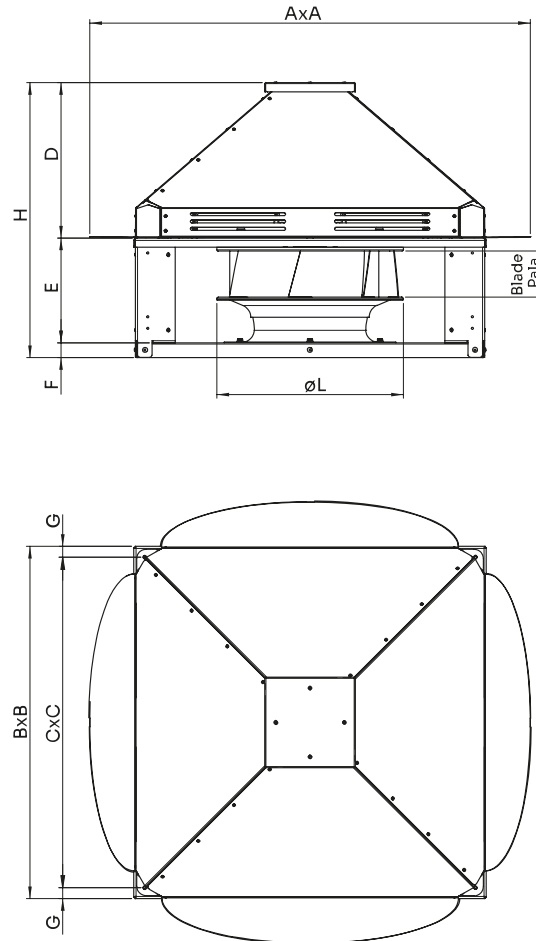
ERP DATA

Fan data sheet		
Fan type	Unit for non-residential ventilation (LOT 6)	
Typology	Unidirectional	
reports.other	None	
Type of driver	None	
Motor power (kW)	0.25	
	Fan values	ERP Requirements 2018
Max. efficiency (%)	55.27	32.68
Effic. Heat recovery (%)	-	
Pabs (kW)	0.222	
Flow (m³/h)	1586.47	
Static pressure (Pa)	264.22	
Speed (m/s)	5.65	



	Fan values	ERP Requirements 2018
SFP (W/m ³ /s)	504.29	

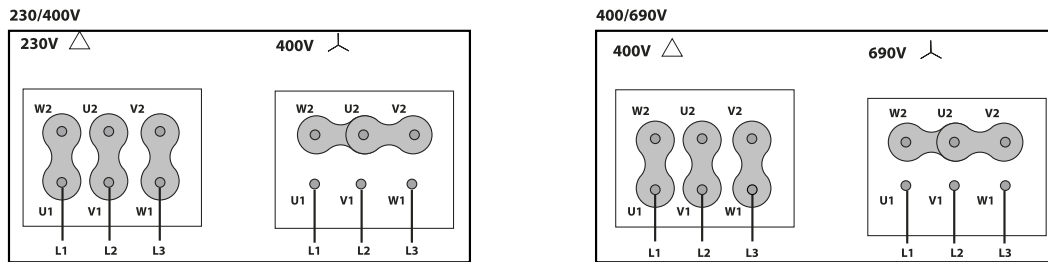
DIMENSIONS



Dimensions (mm)

A	755	B	610	C	550	D	325	E	210
F	40	G	30	GIRANTE	315x90	H	575	PALA	90
ØL	360								

WIRING DIAGRAM



ACCESSORIES



SAFETY SWITCH
SWT 25 3P
REF: 21673



CIRCULAR SILENCER
SIL-C 315/315
REF: 20801



CIRCULAR SILENCER
SIL-C 315/472
REF: 20802



CIRCULAR SILENCER
SIL-C 315/ 630
REF: 20803



CIRCULAR SILENCER
SIL-CN 315/315
REF: 20780



CIRCULAR SILENCER
SIL-CN 315/472
REF: 20781



CIRCULAR SILENCER
SIL-CN 315/ 630
REF: 20782



CIRCULAR-CIRCULAR ANTI-VIBRATION FLANGE
BAD 9
REF: 20769



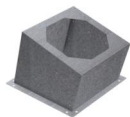
CONNECTION FLANGE
MFLAC 28/11-31/12
REF: 20235



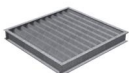
FREQUENCY SPEED CONTROLLER
IREM INVERTER 230 2.5A
REF: 12872



FREQUENCY SPEED CONTROLLER
IRET INVERTER 400 1.2A
REF: 12876



INCLINED ROOF FAN SUPPORT
BTI 570 D=0 C=B
REF: 20761



DEPRESSION DAMPER (HORIZONTAL or VERTICAL PLACEMENT)
CMP-HUT 300x310
REF: 2076+3



KENTALROOF VERTICAL DISCHARGE
KV HEASTMASTER 315
REF: 20833



BTI + ACMP MOUNTED
BTI+ACMP 570 D=0 C=B
REF: 20859



BTI + AMC MOUNTED
BTI+AMC 570 D=0 C=B
REF: 20865



BTI + ACMP+AMC MOUNTED
BTI+ACMP+AMC 570 D=0 C=B
REF: 20869