

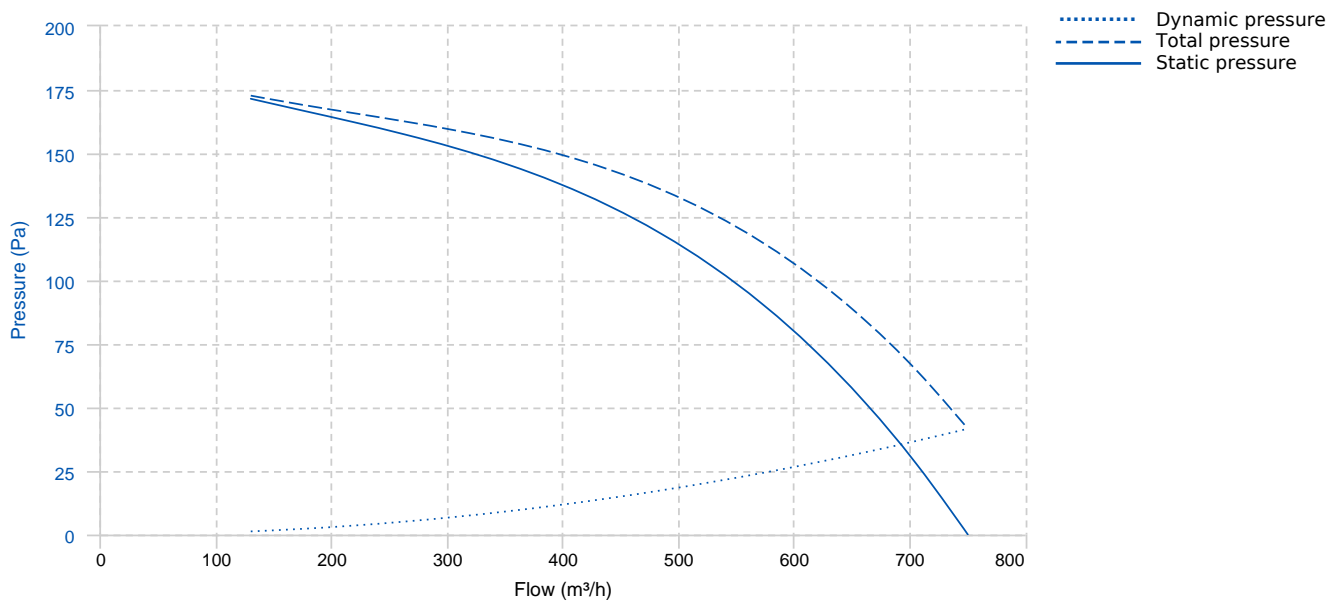
## VORT-TIRACAMINO TC 10 M (15000)

### GENERAL DATA



- Designed to draw out smoke from fireplace
- Can be used as a normal extractor fan when the fireplace is not lit. Not suitable for use with gas fires
- Ball-bearing-mounted induction motor to withstand high temperatures (approximately 200 degree C) for long periods of operation
- Advanced blade design reduces soot build up
- Complete with variable speed controller C1.5 and base frame
- Weatherproof steel construction and anti-corrosion, polyester resin protection
- Supplied with steel safety cable for long-term anchoring of fan to the base
- Protection grille with steel safety, anti-bird rings
- Flue size needs to be at least 15×15 cm or 17cm diameter; if smaller than this the efficiency of the fan may be reduced

### PERFORMANCE CURVE



### TECHNICAL DATA

#### Fan

RPM

-

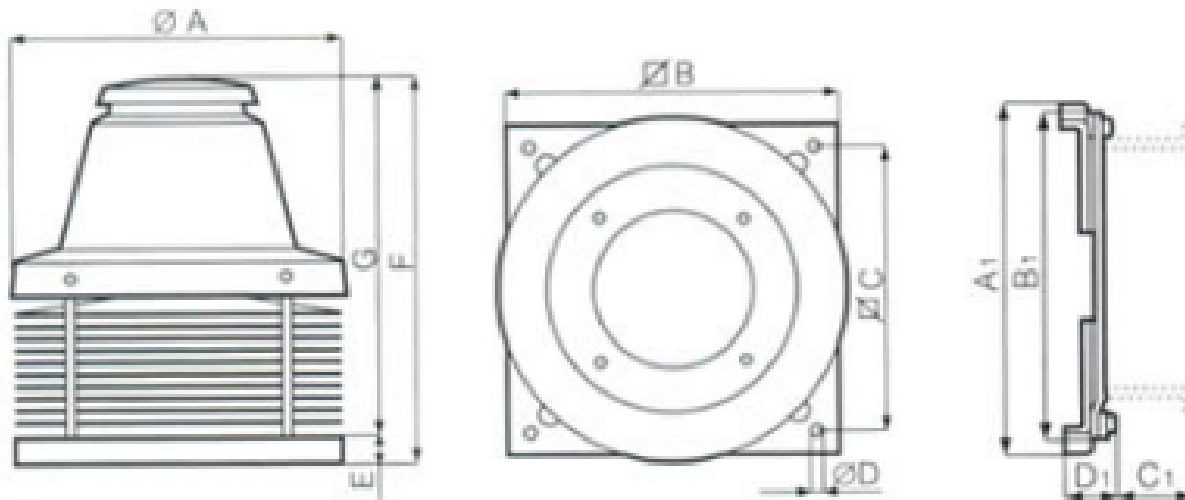
Approx. weight

14.3 kg

Max. Flow

750 m³/h

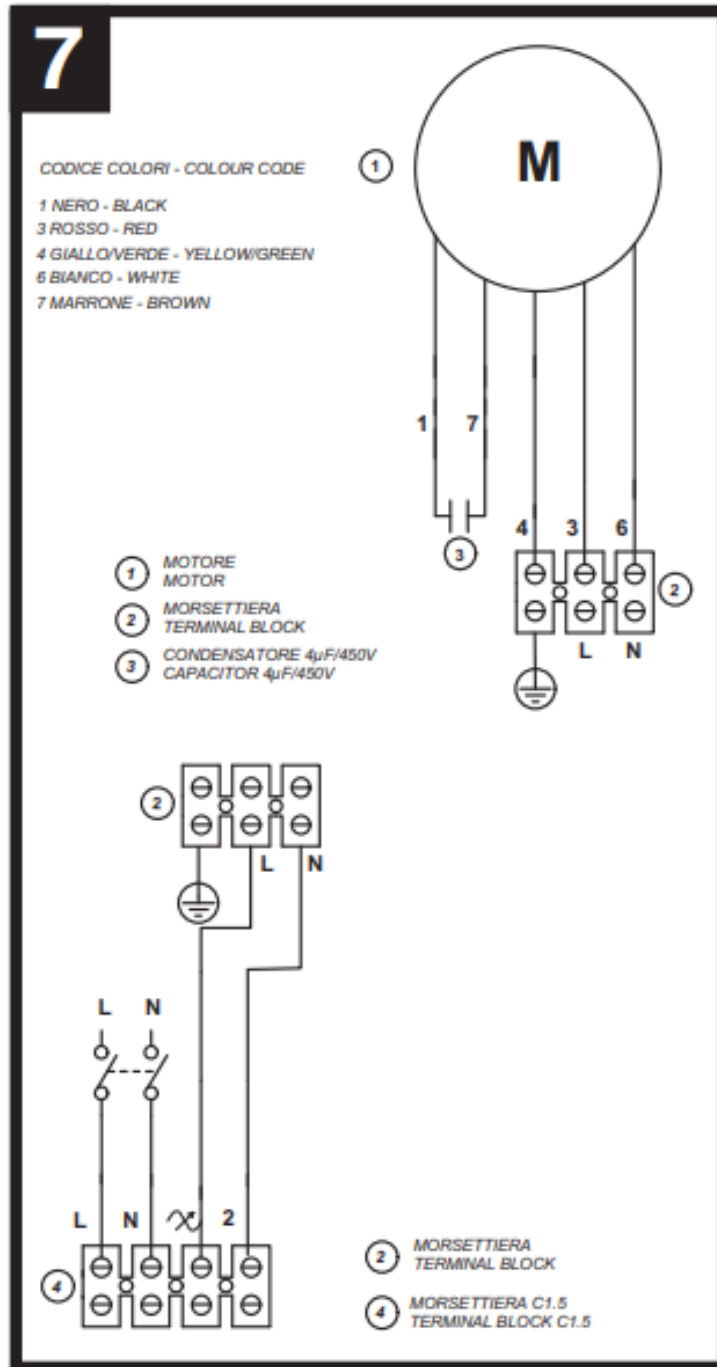
## DIMENSIONS



### Dimensions (mm)

A $\varnothing$	405	B	410 - B1 357	C	357 - C1 140	D $\varnothing$	10	E	38
F	518	G	480						

## WIRING DIAGRAM



## ACCESSORIES