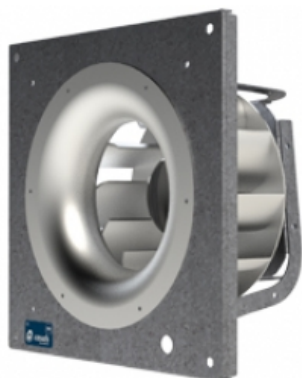


# ENKELFAN 450 EEC

## GENERAL DATA



### CENTRIFUGAL FAN WITH EXTERNAL ROTOR EC MOTOR

#### MANUFACTURING FEATURES

Plug-type fan with self-cleaning impeller with back curved blades (backward), high performance and single inlet, direct driven. Dynamically balanced to minimize noise and vibration. Polyamide reinforced impeller for models 155 and 190 and aluminum plate for the rest.

High efficiency, low noise external rotor EC motor. Speed control through a 0-10V or PWM signal. Single-phase 230V 50 / 60Hz power supply for models 155 to 310 and three-phase 400V 50 / 60Hz for sizes 355 and 450. IP44 motor and class B insulation.

Frame and motor support arms made of galvanized steel.

#### APPLICATIONS

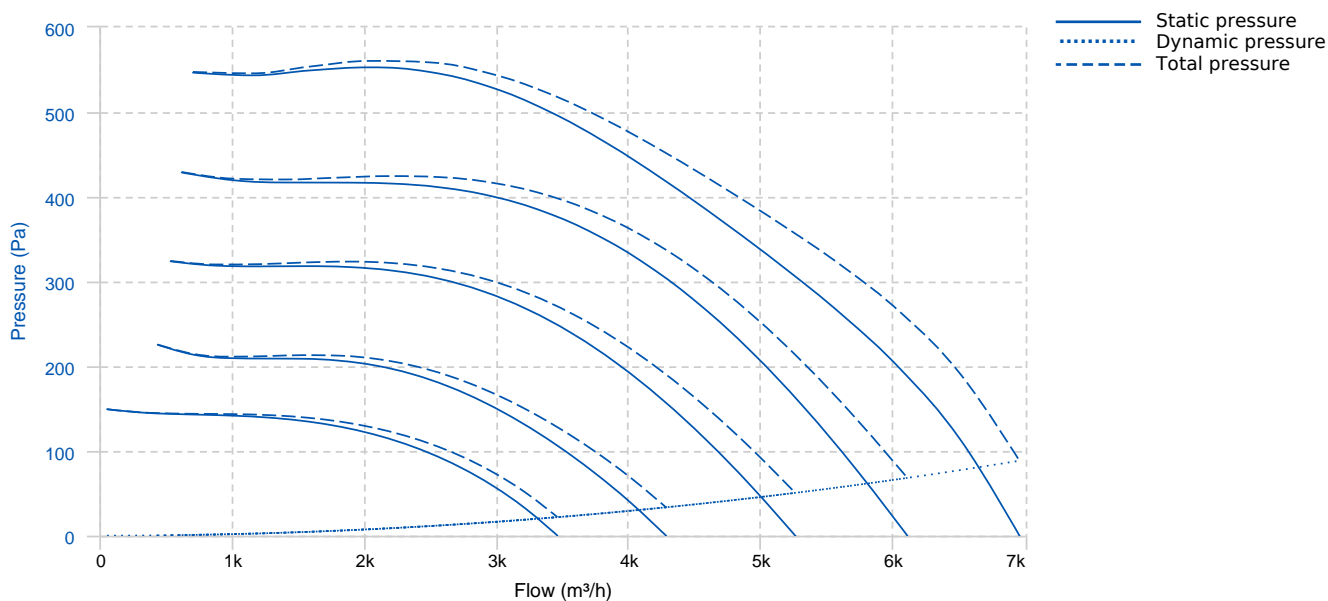
Air conditioners, plenums.

Working temperature range from -20°C to 60°C.

#### UNDER REQUEST

- Fan (size between 250 and 450) with k-factor reading.

## PERFORMANCE CURVE

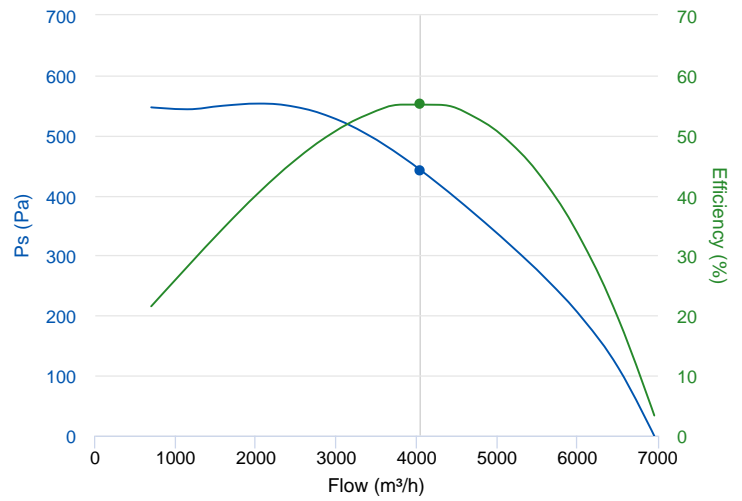


## TECHNICAL DATA

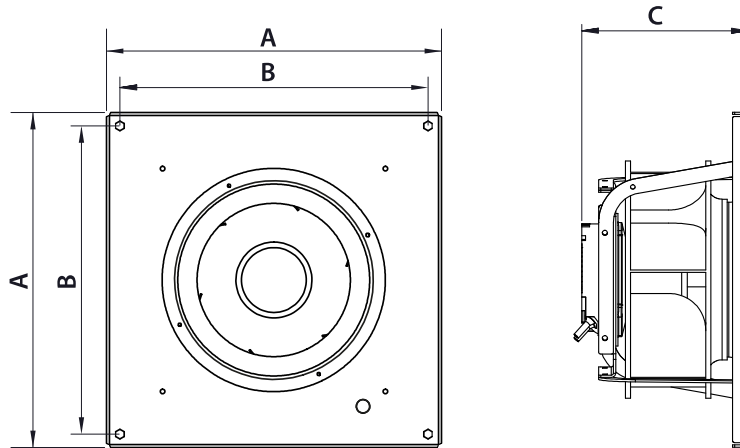
Fan							
RPM	1450	Approx. weight	26 kg	Max. Flow	6955 m³/h		
Motor							
Power	1.006 kW	RPM	1450	I max. (400V)	1,67 A	Approx. weight	12 kg

## ERP DATA

Fan data sheet		
Fan type	Centrifugal fan backward blades without casing	
Installation category	A: Outlet and Inlet free discharge	
Efficiency category	Static	
The fan has to be installed with VF	No	
Motor power (kW)	1.006	
	Fan values	ERP Requirements 2015
Max. efficiency (%)	55.34	51.17
Efficiency grade (N)	66.17	62
Pabs (kW)	0.931	
Flow (m <sup>3</sup> /h)	4043.84	
Static pressure (Pa)	442.58	
Speed (m/s)	10	
Specific ratio	1.00	




## DIMENSIONS

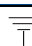


### Dimensions (mm)


A	630	B	583	C	381
---	-----	---	-----	---	-----

## WIRING DIAGRAM

Nº	Signal Señal	Colour Color	Specification Especificación
1	L1	Black Negro	AC380V/50Hz
2	L2	Black Negro	AC380V/50Hz
3	L3	Black Negro	AC380V/50Hz
4	Pe	Yellow-Green Amarillo-Verde	

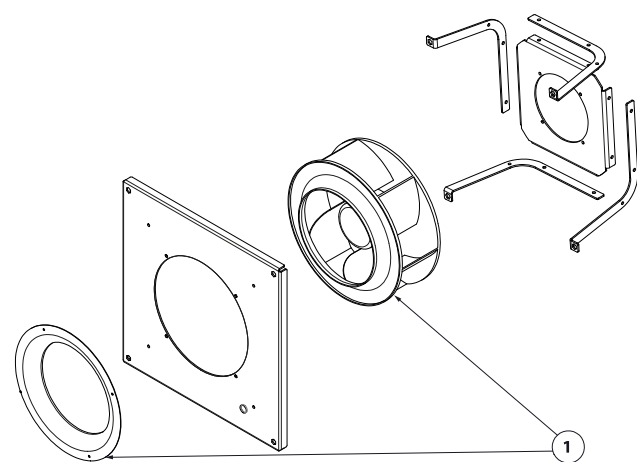
Nº	Signal Señal	Colour Color	Specification Especificación
1	Vcc	Red Rojo	DC10V
2	Vsp	Yellow Amarillo	0-10VDC/PWM
3	GND	Blue Azul	
4	FG	White Blanco	1 Pulse/R

## ACCESSORIES



**SPEED CONTROLLER WITH SAFETY SWITCH FOR EEC MOTOR PMR 25A REF: PMREEC**

## SPARE PARTS



	Code	Model	Qty
1	241453017	MOTOR-FAN+INLET CONE Ø450 400V 50/60Hz	x1