

Technical Data Sheet

CODE 45266

VORT QBK-SAL KC M 315

Cabinet fans designed to extract hot, humid and dirty air



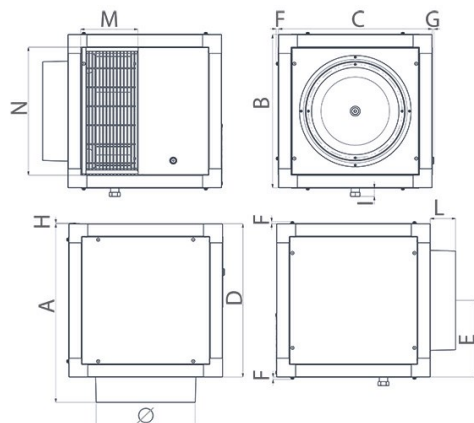
Certifications



TECHNICAL AND PERFORMANCE DATA

Absorbed Current at 220 V (A)	1,30	Motor IP protection	55
Absorbed Current at 240 V (A)	1,23	Number of Poles	4
Absorbed Power at 220 V (W)	275	Voltage (V)	220-240
Absorbed Power at 240 V (W)	285	Weight (Kg)	33
Frequency (Hz)	50	Delivery max (l/s)	497
Insulation Class	I°	Delivery max (m ³ /h)	1790
IP	55	Pressure max (mmH2O)	36,1
Max ambient temperature for continuous operation (°C)	70	Pressure max (Pa)	354
Max Temperature of Exhaust Air (Continuous Operation)	120	RPM	1365
Motor Class	F	Sound power level Lw [dB(A)]	70,2
		Sound Pressure level Lp [dB (A)] 3m	49,7

DIMENSIONS



Size A (mm)	566
Size B (mm)	485
Size C (mm)	485
Size D (mm)	485
Size E (mm)	242,5
Size F (mm)	8
Size G (mm)	6
Size H (mm)	3
Size I (mm)	28
Size L (mm)	82
Size M (mm)	180
Size N (mm)	405

PER INFORMAZIONI:

Servizio al Cliente: tel +39 02 90699395 premendo 1 dopo messaggio registrato (consulenza su prodotti e impianti)

Pre & Post Vendita: fax +39 02 90699302

Email prevendita: prevendita@vortice-italy.com

Technical Data Sheet

CODE 45266

VORT QBK-SAL KC M 315

Cabinet fans designed to extract hot, humid and dirty air



DESCRIPTION

- Cabinet: frames made of aluminium profiles; sandwich panels made of zinc-coated, 0,6 mm thick steel plates, lined with 23 mm thick rockwool.
- Circular part of inlet.
- Rectangular outlet. A specific optional adapter allows connection to circular pipes.
- Nominal diameter 315 mm.
- Single-phase ball bearings AC motor, located outside the airflow and separated from the impeller by a metal panel.
- Backward curved centrifugal impeller, dynamically balanced (ISO 1940, 6.3 class).
- Motor protection guard made of galvanised steel.
- Inspection panel with handle and triangular key.
- Condensate tray made of galvanised steel with drain point and blank nut for draining.
- Temperature of extracted air up to 120°C.
- Maximum environment air temperature: 70 ° C (if controlled by IRM5 2B controller code 12861, the maximum temperature drops to 55 ° C).
- Speed adjustable through Vortice's speed controllers.

ACCESSORIES



TETTO
PARAPIOGGIA
315
Code 24192



RACCORDO
RETTANGOLARE
TONDO 315
Code 24184



TETTO
PROTEZIONE
SCARICO 315
Code 24196



ANTIVIBRANTI
315/355
Code 24188

PER INFORMAZIONI:

Servizio al Cliente: tel +39 02 90699395 premendo 1 dopo messaggio registrato (consulenza su prodotti e impianti)

Pre & Post Vendita: fax +39 02 90699302

Email prevendita: prevendita@vortice-italy.com