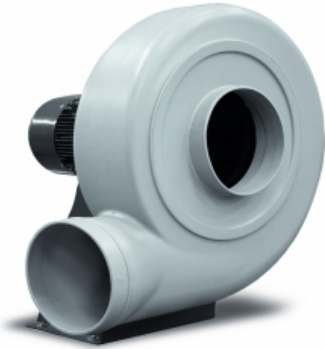


CRC-A 20/2 T (30100)

GENERAL DATA



MEDIUM PRESSURE FAN WITH FORWARD IMPELLER AND IN PLASTIC CONSTRUCTION

MANUFACTURING FEATURES:

- Housing made of PP plastic (for models size 35 and equal to or greater than size 45) other models PE casing
- Forward curved impeller in PP plastic.
- Motor support made of rolled steel sheet with polyester powder finishing coat.
- Stainless steel nuts and bolts.
- Standard asynchronous squirrel-cage motor, IP-55, class F insulation. Standard voltages 230/400V 50Hz for three phase motors up to 4kW and 400/690V 50Hz for higher powers.

- Available positions (to be indicated in case of order): LG270, LG0, LG45, LG90, LG135, LG180, LG225, LG315, RD0, RD45, RD90, RD135, RD180, RD225, RD270, RD315.
- The indicated codes correspond to the model in position LG270

APPLICATIONS:

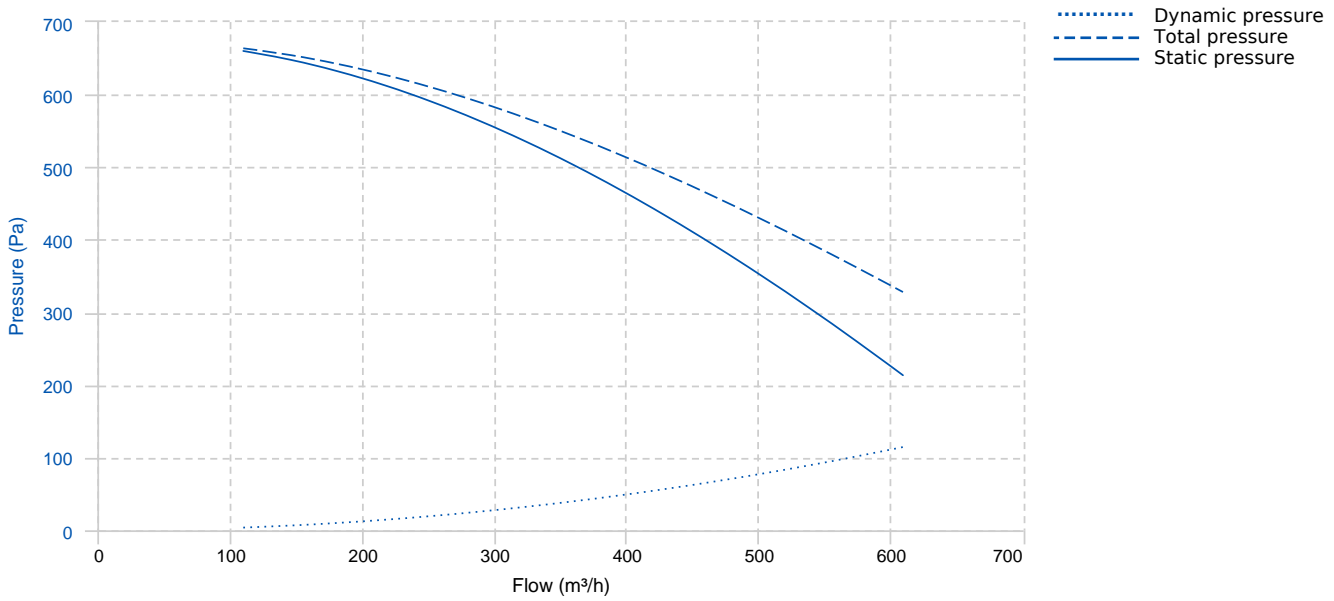
Designed for inline installation, they are suitable for:

- Corrosive air transport.
- Chemical and petrochemical industry.
- Laboratories and gas cabinets.
- Maximum temperature of transported air: If it is clean air 70°C, other depends on the gas (see table in documentation)

UNDER REQUEST:

- Single phase motors (up to 1,1kW).
- 60Hz fans and special voltages fans.
- 2 speed motors.
- Stainless steel motor support.
- Casing made of PP (for models taht is not a standard material).

PERFORMANCE CURVE



TECHNICAL DATA

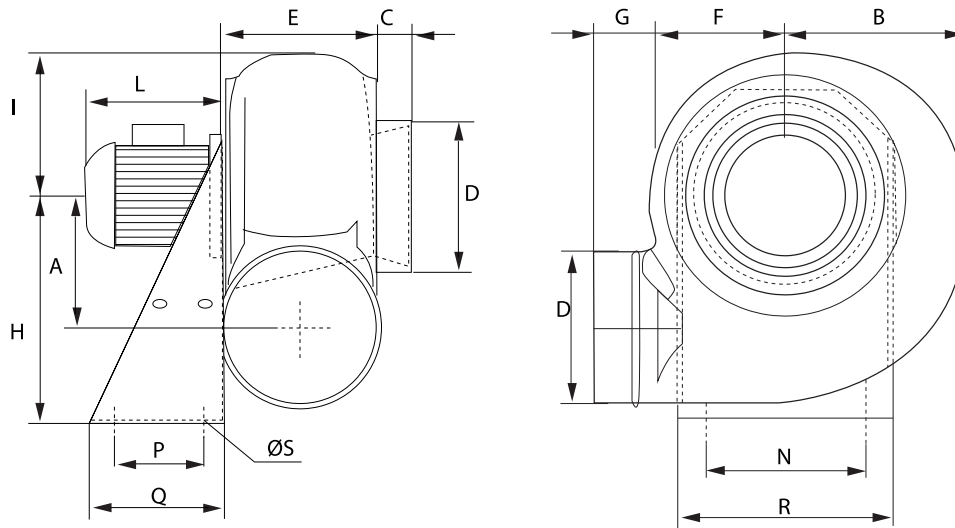
Fan

RPM	2710	Approx. weight	10 kg	Max. Flow	610 m³/h
-----	------	----------------	-------	-----------	----------

Motor

Power	0.25 kW	RPM	2710	I max. (230V)	1,2 A	I max. (400V)	0,71 A
Size	63	Efficiency (%)	65 %	FP	0.78		

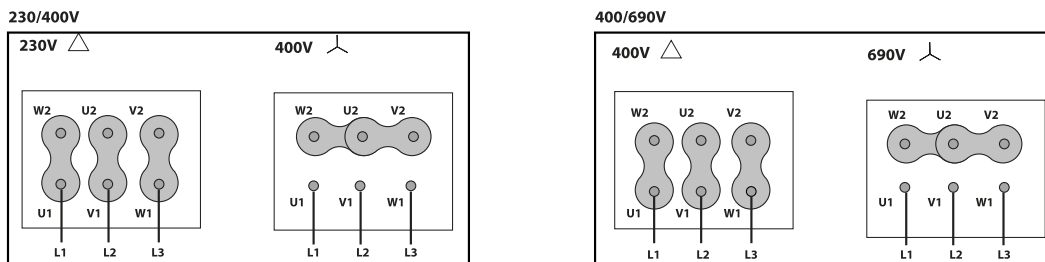
DIMENSIONS



Dimensions (mm)

A	142	B	187	C	40	DØ	125	E	120
F	150	G	60	H	250	I	165	L	195
N	200	P	100	Q	140	R	235	ØS	11

WIRING DIAGRAM



ACCESSORIES



SAFETY SWITCH
SWT 25 3P
REF: 21673



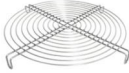
ANTI-VIBRATING FLANGE 400^ø/2H
FLC1-F400 10/12
REF: 21984



ANTI-VIBRATION JOINT
FJ-F450
REF: 21669



PVC FLEXIBLE JOINT
FJ Ø125



STAINLESS STEEL PROTECTION GRID
RPI Ø125



FREQUENCY SPEED CONTROLLER
IREM INVERTER 230 2.5A
REF: 12872



FREQUENCY SPEED CONTROLLER
IRET INVERTER 400 1.2A
REF: 12876



ANTI-VIBRATION RUBBER BLOCK
NRD-F400 (GENERIC)



ANTI-VIBRATION SPRING BLOCK
XS-F400 (GENERIC)