

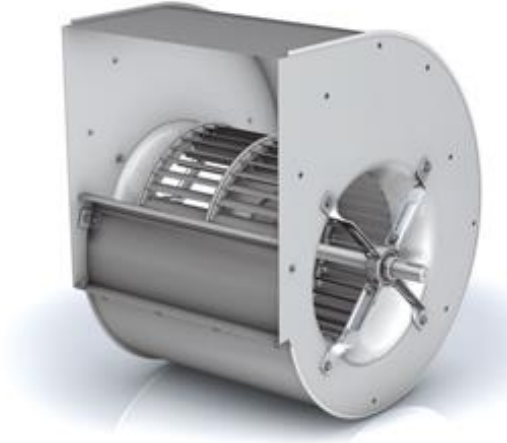
## Technical Data Sheet

CODE 11948

### NICOTRA Gebhardt ADH-450 E2

Centrifugal Fans ADH belt driven

# NICOTRA | Gebhardt



Nicotra Gebhardt S.p.A. (Italy)  
Nicotra Gebhardt GmbH (Germany)

## TECHNICAL AND PERFORMANCE DATA

|                                 |                   |         |
|---------------------------------|-------------------|---------|
| Permissible Nominal Motor Power | kW                | 11      |
| Permissible Fan Speed           | rpm               | 1400    |
| Permissible Bearing Load        | N                 | 1180    |
| Permissible Media Temperature   | °C                | -20/+85 |
| Maximum Delivery Airflow        | m <sup>3</sup> /h | 43600   |
| Maximum Delivery Pressure       | Pa                | 1830    |
| Fan Weight                      | kg                | 50      |

### İletişim Bilgileri:

Adres: İkitelli OSB Marmara Sanayi Sitesi C Blok Sk.C blok No:4 P.K :34307 Küçükçekmece / İstanbul

Telefon : (+90) 212 901 00 77

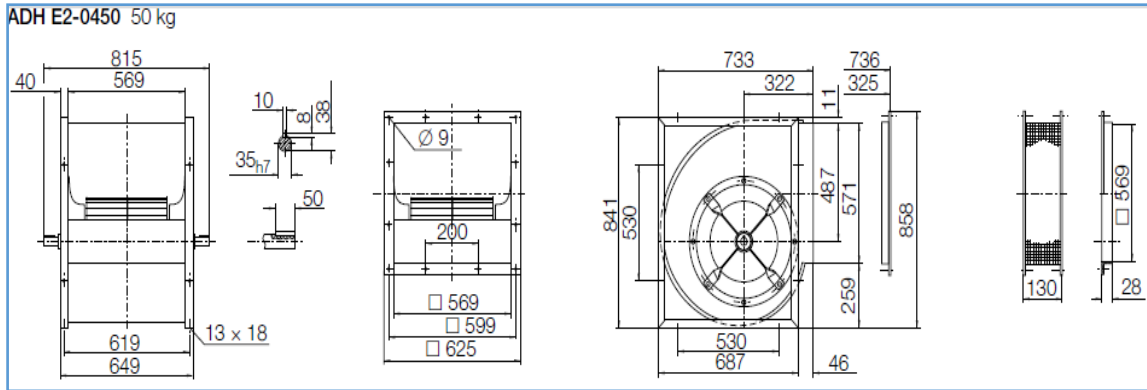
Email: [info@avensair.com](mailto:info@avensair.com) [satis@avensair.com](mailto:satis@avensair.com)

# Technical Data Sheet

CODE 11948

## NICOTRA Gebhardt ADH-450 E2

Centrifugal Fans ADH belt driven

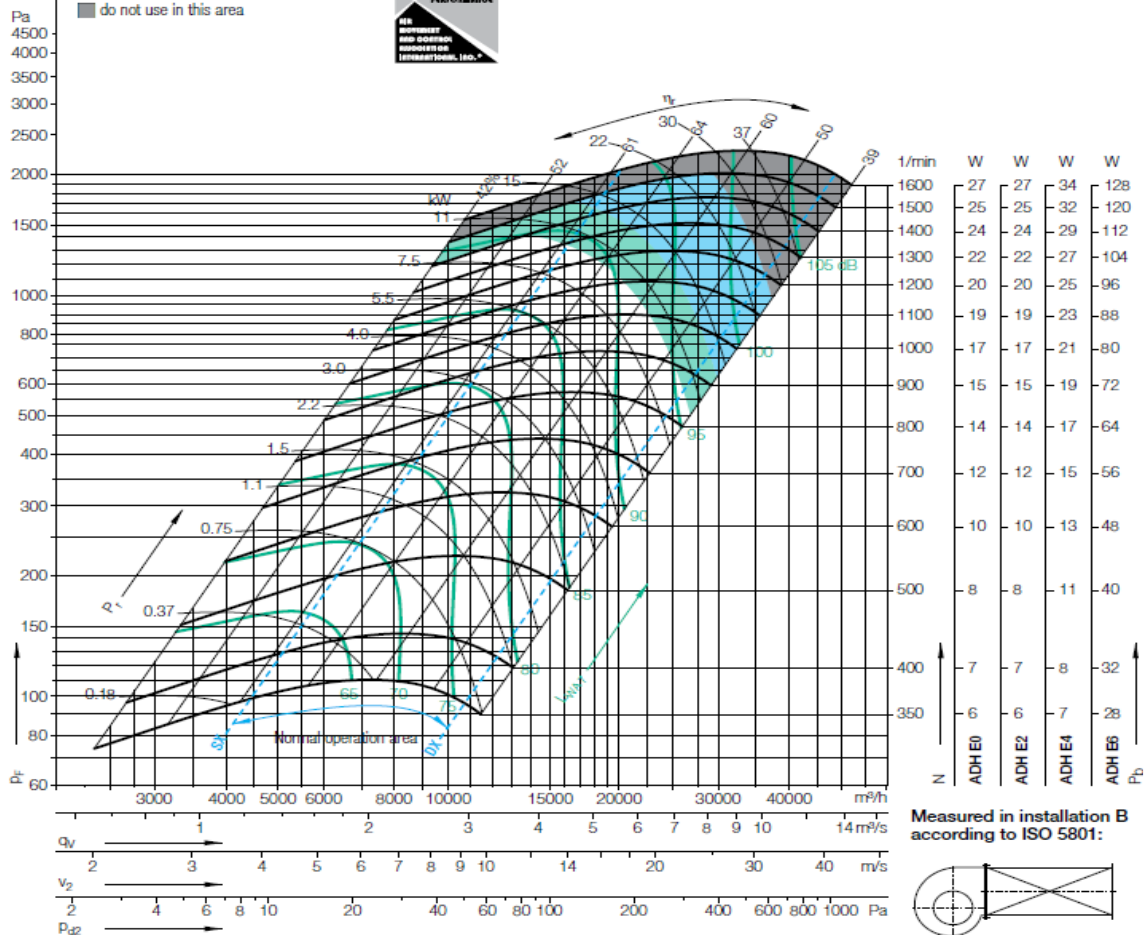


### Performance Curves

- Please note coloured area
- all types suitable
  - ADH E4/E6 only
  - ADH E6 only
  - do not use in this area



Nicotra Gebhardt S.p.A certifies that the fan shown herein is licensed to bear the AMCA Seal. The ratings shown are based on tests and procedures performed in accordance with AMCA Publication 211 and comply with the requirements of the AMCA Certified Ratings Program. The AMCA Certified Ratings Seal applies to air performance ratings only.



### İletişim Bilgileri:

Adres: İkitelli OSB Marmara Sanayi Sitesi C Blok Sk.C blok No:4 P.K :34307 Küçükçekmece / İstanbul

Telefon : (+90) 212 901 00 77

Email: [info@avensair.com](mailto:info@avensair.com) [satis@avensair.com](mailto:satis@avensair.com)